



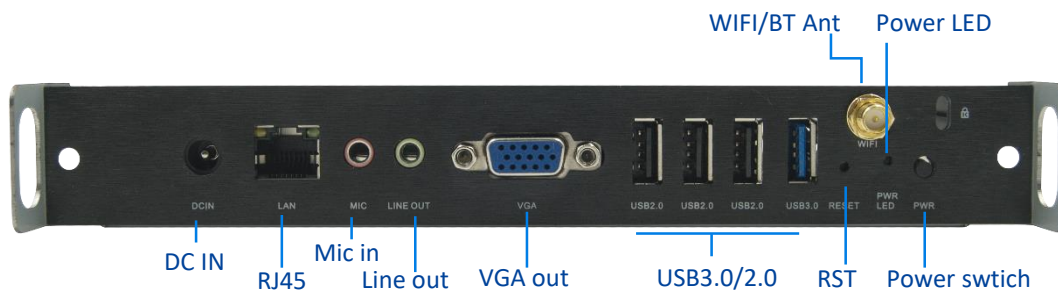
Features

- OPS PC Module
- Intel Cherry Trail-CR platform
- Onboard DDR3L Memory
- Onboard EMMC
- JAE 80-pin Connector
- Onboard Wi-Fi/BT Modules
- Dual Display Function
- Fanless Design

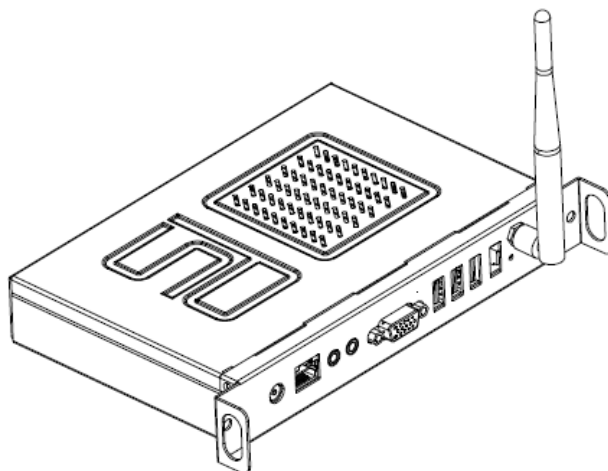
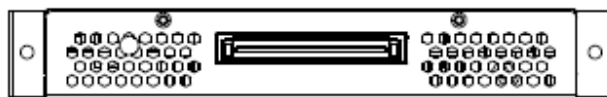
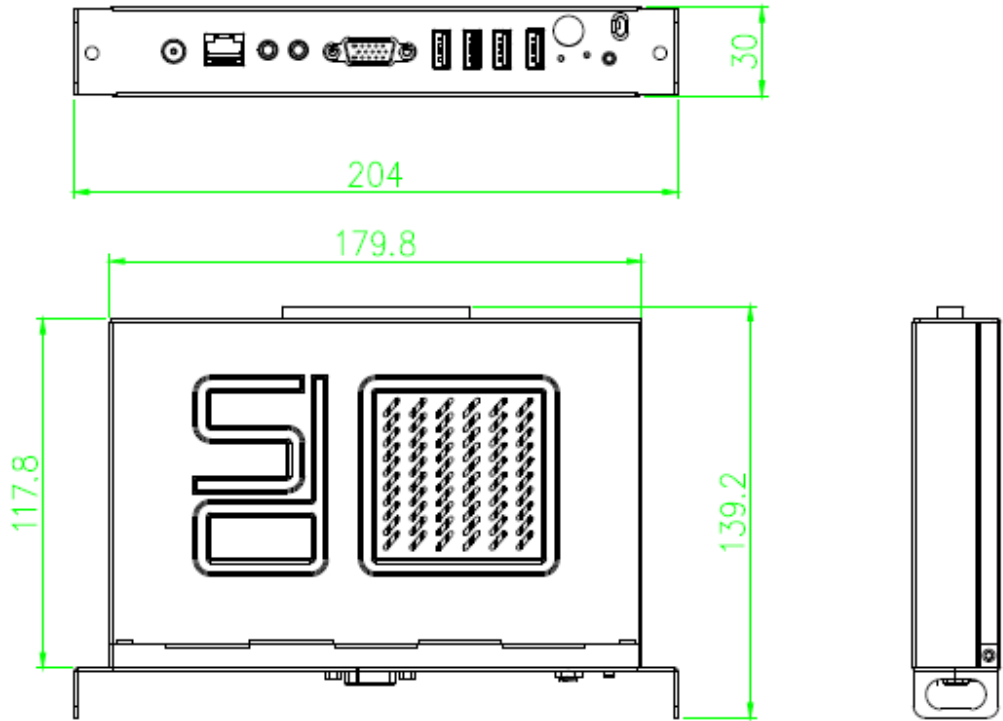
Specifications

Processor	Intel® Cherry Trail CR Atom X5-Z8350 SOC · 1.44~1.92GHz · 4Core
Memory	Onboard 2GB DDR3L · Max.4GB
Storage	Onboard 64G EMMC , Optional
Graphics	Intel® HD Graphics 400
Wireless	Onboard 802.11 b/g/n Wi-Fi +BT4.0 Module
Network	Realtek Gigabit Ethernet
Audio	USB Audio IC 1 x USB 3.0 3 x USB 2.0 1 x RJ45 10/100/1000M 1 x VGA out 1 x 3.5mm Line out 1 x 3.5mm Mic in 1 x WIFI/BT ANT 1 x IR receiver 1 x Power Switch 1 x Power LED 1 x Reset
Interface Front side	
JAE 80-pin Connector	1 x HDMI out, FHD 3 x USB 2.0 TTL
Power input	12-19V DC IN
TPM	No
vPro	No
AMT	No
Watchdog	Support
Material	Metal
Dimensions	119(L) x 180(W) x 30(H) mm
Temperature	Operating -5°C~45°C Storage -20°C~70°C
Relative humidity	10%~95% (non-condensing)
Net Weight	0.9kg

I/O



Dimensions



Ordering Information

Number	SOC	Memory	Storage	WiFi/BT	Lan	AMT/vPro	HDMI/80PIN	TPM
S036-Z8H2S6	X5-Z8350	2GB DDR3L	64G EMMC	802.11b/n/g+BT4.0	Realtek 1000M	No	HDMI-1080P	No

Packing List

Description	Qty
Driver CD	TDB
Simple manual	TDB
WiFi antenna	1



JWIPC官网二维码
感谢您的关注！